

THE TRU SERIES — CONSTRUCTION

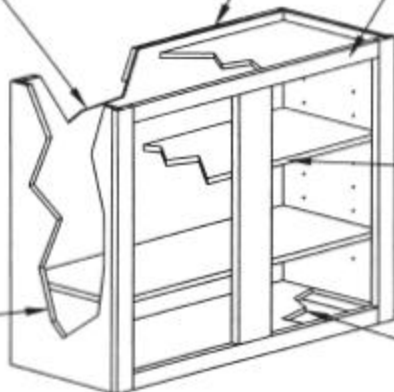
WALL CABINET

Back 5/32" plywood
Natural Birch interior

Hanging Rail:
1/2" plywood

Face Frame: 3/4" x 1 3/4"
hardwood solid
mortised and tenoned;
glued and stapled construction

Hinge: Fully
concealed; adjustable
wrap around European
hinges



Shelves:
5/8" adjustable plywood;
Natural Birch with
matching edgbanding

End Panel:
1/2" plywood;
Natural Birch interior;
Unfinished exterior
unless specified

Top & Bottom: 1/2" plywood
Natural Birch interior
and exterior

BASE CABINET

Hinge: Fully
concealed; adjustable
wrap around European
hinges

Hanging Rail:
1/2" plywood

Back 5/32" plywood
Natural Birch interior

Face Frame: 3/4" x 1 3/4"
hardwood solid
mortised and tenoned;
glued and stapled
construction

End Panel:
1/2" plywood;
Natural Birch interior;
Unfinished exterior
unless specified

Shelves:
5/8" adjustable plywood;
Natural Birch with
matching edgbanding

Drawer Construction
Sides - 5/8" Dovetailed
Ends - 5/8" Dovetailed
Bottom - 1/4" ply
Hardware - dual epoxy
coated undermount

Floor: 1/2" plywood;
Natural Birch interior

Toe Kick:
1/2" plywood

Rollout - 3/4" front, 1/2" side,
5/8" back, 1/4" bottom
undermount hardware

