

THE VALUE SERIES — CONSTRUCTION

WALL CABINET

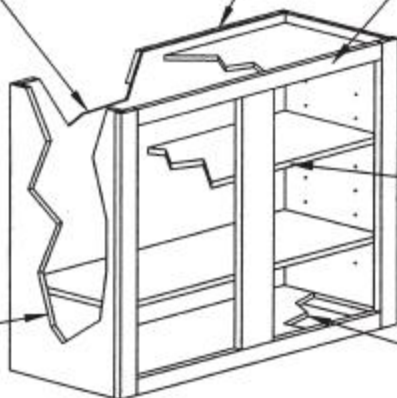
Back: 3.5 mm plywood
Natural Birch plywood
paper laminate interior

Hanging Rail:
12 mm plywood

Face Frame: 3/4" x 1 3/4"
hardwood solid; mortise
and tenoned; glued and
stapled construction
Fronter: Stiles - 1 1/2"
Mullions - 3"

Hinge: Fully
concealed; adjustable
wrap around European
hinges; excluding
Shadowood

End Panel: 12 mm
plywood; Natural
Birch paper laminate
interior; Natural
Oak/Birch exterior



Shelves: 15 mm
plywood; adjustable;
Natural Birch paper
laminate shelf with
matching edge
banding

Top & Bottom: 12 mm
plywood; Natural Birch
laminate paper interior
and exterior

BASE CABINET

Hinge: Fully
concealed; adjustable
wrap around European
hinges; excluding
Shadowood

Hanging Rail:
12 mm plywood

Back: 3.5 mm plywood
Natural Birch plywood
paper laminate interior

Face Frame: 3/4" x 1 3/4"
hardwood solid; mortised
and tenoned; glued and
stapled construction
Fronter: Stiles - 1 1/2"
Mullions - 3"

Shelves: 15 mm
plywood; adjustable;
Natural Birch paper
laminate shelf with
matching edgebanding

End Panel: 12 mm
plywood; Natural
Birch paper laminate
interior; Natural
Oak/Birch exterior

Drawer Construction
Sides - 15 mm ply
Ends - 15 mm ply
Bottom - 3.5 mm ply
Hardware - Epoxy
coated side mounted

Rollout - 3/4" front, 1/2" side,
5/8" back, 1/4" bottom
undermount hardware

Floor: 12 mm plywood;
Natural Birch laminate
paper interior

Toe Kick:
12 mm plywood

